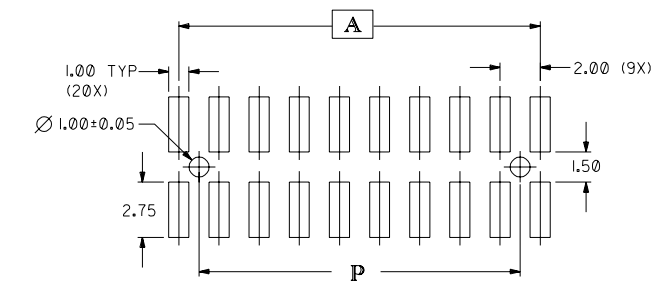
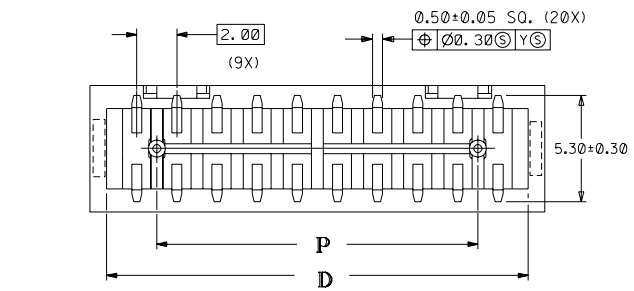
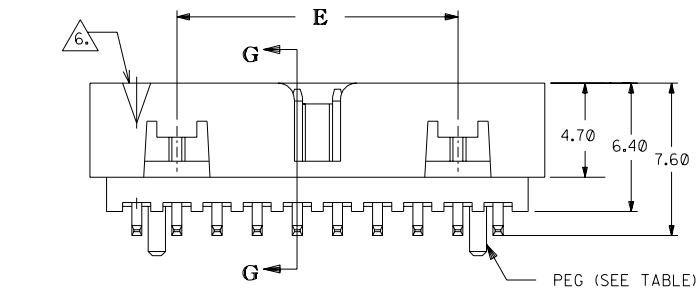
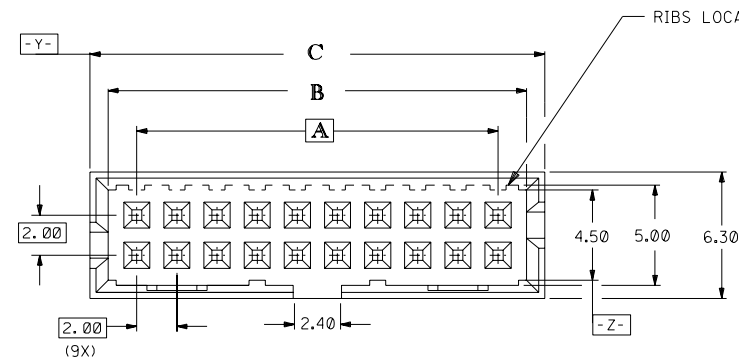


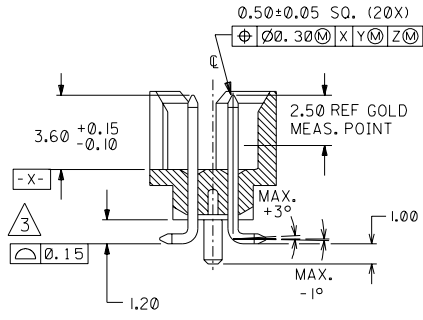
DO NOT SCALE DRAWING

CAD FILE S8733220.DGN

DWG. NO. SD_87332-**-20



RECOMMENDED PCB PATTERN



SECTION G-G
SCALE - 4 : 1

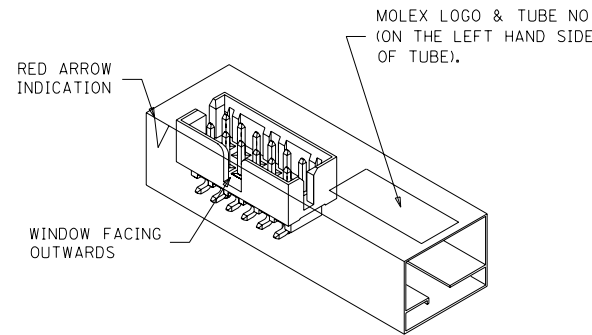


FIG.1 : ORIENTATION OF PART IN TUBE.
(FOR THE REFERENCE OF PART/TUBE ASSEMBLY.)

PLS REFER TO PART 87332-**-06 / 07 FOR CENTER LOCKING SLOT OPTION.

PEG OPTION	PART NO.	CKT SIZE	DIMENSION					
			A	B	C	D	E	P
NO	87332-042*	4	2.00	4.85	6.65	5.00	—	—
YES	87332-062*	6	4.00	6.85	8.65	7.00	—	2.00
YES	87332-082*	8	6.00	8.85	10.65	9.00	—	4.00
YES	87332-102*	10	8.00	10.85	12.65	11.00	—	6.00
YES	87332-122*	12	10.00	12.85	14.65	13.00	—	8.00
YES	87332-142*	14	12.00	14.85	16.65	15.00	8.00	10.00
YES	87332-162*	16	14.00	16.85	18.65	17.00	10.00	12.00
YES	87332-182*	18	16.00	18.85	20.65	19.00	12.00	14.00
YES	87332-202*	20	18.00	20.85	22.65	21.00	14.00	16.00
YES	87332-222*	22	20.00	22.85	24.65	23.00	16.00	18.00
YES	87332-242*	24	22.00	24.85	26.65	25.00	18.00	20.00
YES	87332-262*	26	24.00	26.85	28.65	27.00	20.00	22.00
YES	87332-282*	28	26.00	28.85	30.65	29.00	22.00	24.00
YES	87332-302*	30	28.00	30.85	32.65	31.00	24.00	26.00
YES	87332-322*	32	30.00	32.85	34.65	33.00	26.00	28.00
YES	87332-342*	34	32.00	34.85	36.65	35.00	28.00	30.00
YES	87332-362*	36	34.00	36.85	38.65	37.00	30.00	32.00
YES	87332-382*	38	36.00	38.85	40.65	39.00	32.00	34.00
YES	87332-402*	40	38.00	40.85	42.65	41.00	34.00	36.00
YES	87332-422*	42	40.00	42.85	44.65	43.00	36.00	38.00
YES	87332-442*	44	42.00	44.85	46.65	45.00	38.00	40.00
YES	87332-462*	46	44.00	46.85	48.65	47.00	40.00	42.00
YES	87332-482*	48	46.00	48.85	50.65	49.00	42.00	44.00
YES	87332-502*	50	48.00	50.85	52.65	51.00	44.00	46.00

NOTES:

- FOR ILLUSTRATION PURPOSES, 20 CIRCUIT SIZE WAFER IS SHOWN
- NO CENTRE POLARIZATION SLOT FOR CKT SIZE 4 AND 6.
- COPLANARITY IS TO BE MEASURED BY RESTING THE SOLDER TAIL ON A GAUGE SURFACE.
- PRODUCT SPECIFICATION PS-87331 APPLIES.
- NO SIDE LOCKING SLOT FROM 4 TO 12 CKT SIZE.
- CKT 4 & 6 HAS NO IDENTIFICATION TAG

PART NUMBER LEGEND :

87332 - ** **
 CKT SIZE | PLATING OPTION
 20 - 0.38um/15uin GOLD IN CONTACT AREA, TIN/LEAD IN SOLDER TAIL AREA, BOTH OVER NICKEL OVERALL
 21 - 0.76um/30uin GOLD IN CONTACT AREA, TIN/LEAD IN SOLDER TAIL AREA, BOTH OVER NICKEL OVERALL

mm

B7	ADD TOE-TOE DIMENSION AT C6. (ECN# S2002-0394)	SEE	020315
B6	CHG MEAS PT. FROM CENTRE TO BOTTOM OF PIN AT D4. (ECN# S2000-0273)	SEE LING	000111
B5	ADD NOTE 6 & SYMBOL (ECN# 2000-0078)	SEE LING	990810
LTR	REVISION RECORD	ECN	DR
	REVISE ONLY ON CAD SYSTEM	CHK	DATE

MATERIAL : HOUSING : 30% G.F. NYLON 46 UL94V-0
 COLOR - BLACK
 PIN : 0.50MM SQ. PHOSPHOR BRONZE

FINISH : SEE ABOVE

DRAWN BY ANG GW 920612
 APPR'D BY R WONG 920614

CHK'D BY TOH SK 920914
 SCALE 4 : 1

MOLEX SINGAPORE PTE LTD
 SHEET 1 OF 1

GENERAL TOLERANCES ± 0.20/0.008
 REV B7

DWG. NO.: SD187332-**-20

TITLE : "MILLI-GRID" SMT,SHROUDED HEADER W/SLOT, STANDOFF, LOCATING PEG